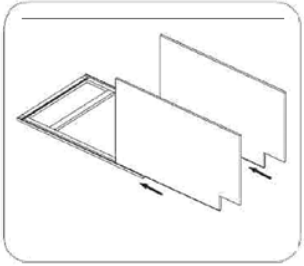
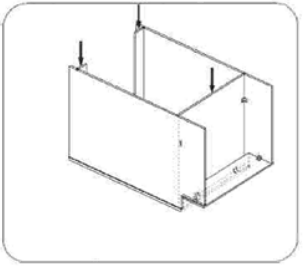


ASSEMBLY INSTRUCTIONS OF KITCHEN CABINETS

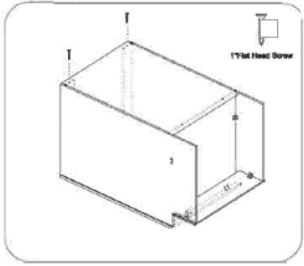
Base Cabinet
 0B9,B12,B15,B18,B21,B24,B30,B36,BBC36-42
 SB30,SB33,SB36,V2421,V2721,V3021,V3621 (Without Drawer Box)



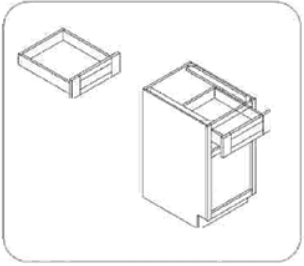
(D) Insert the side panel from end of face frame



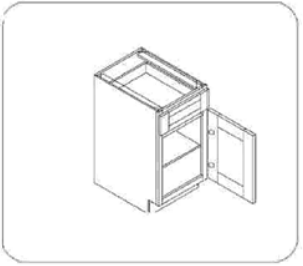
(E) Attach bottom panel with face frame and side panel



(J) Attach back panel then screw up



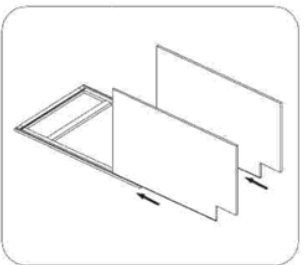
(C) Fix drawer box on the drawer front and adjust the cover-space



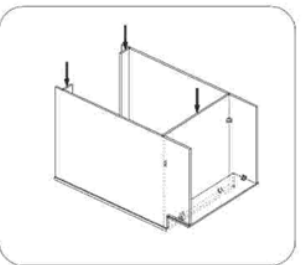
(Q) Fix door onto the frame and adjust the cover-space. Put on adjustable shelf

QTY	HARDWARE	Icon
2or4	1 1/2" Soft Close Hinge	H
2or4	3/4" Round Head Screw	W
4or8	5/8" Flat Head Screw	V
6or8	Bumper	C
8	Cleat	D
40	1/2" Flat Head Screw	P
4	1" Flat Head Screw	S
4	Shelf Clip	F
4	Plastic Triangle	V
1	Slider	

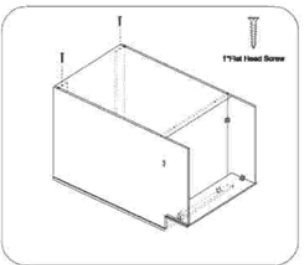
Base Cabinet
 DB12-3,DB15-3,DB18-3,DB21-3,DB24-3,DB30-3,DB36-3
 VDB12-3,VDB15-3,VDB18-3,VDB21-3,VDB24-3



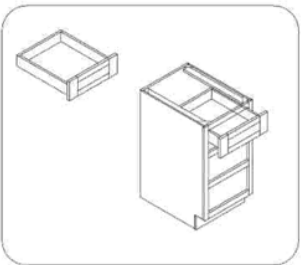
① Insert the side panel from end of face frame



② Attach bottom panel with face frame and side panel



③ Attach back panel then screw up



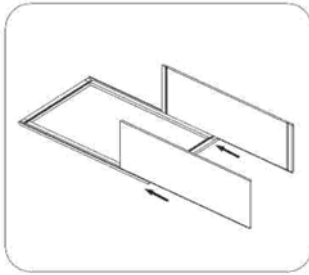
④ Fix drawer box on the drawer front and adjust the cover-space

QTY	HARDWARE	Icon
12	Bumper	C
8	Cleat	D
40	1/2" Flat Head Screw	P
4	1" Flat Head Screw	S
4	Plastic Triangle	V
3	Slider	

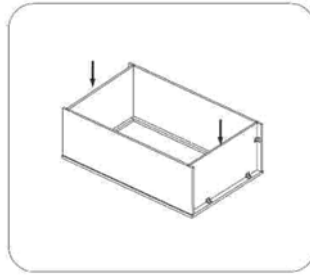
Wall Cabinet

W0930,W1230,W1530,W1830,W2130
W0936,W1236,W1536,W1836,W2136
W0942,W1242,W1542,W1842,W2142

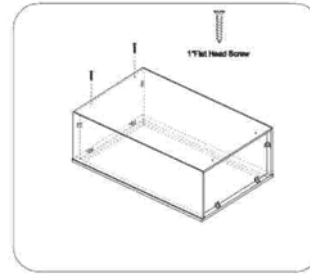
WBC2730,WBC2736,WBC2742
W1830GD,W2130GD,W1836GD
W2136GD,W1842GD,W2143GD



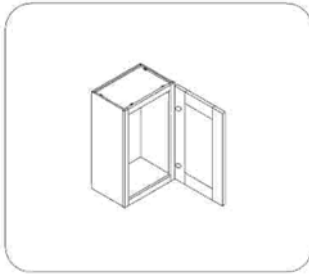
1 Insert the side panel from end of face frame



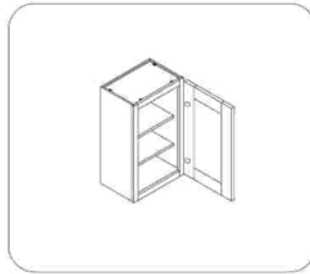
2 Attach top and bottom panel with face frame and side panel



3 Attach back panel then screw up



4 Fix door onto the frame and adjust the cover-space

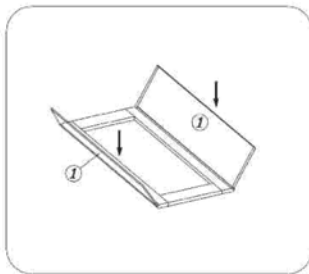


5 Put on the adjustable shelves

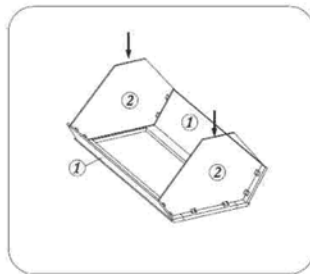
QTY	HARDWARE	
2 or 3	1 1/4" Soft Close Hinge	
2 or 3	3/4" Round Head Screw	
4 or 6	5/8" Flat Head Screw	
2	Bumper	
10	Cleat	
40	1/2" Flat Head Screw	
4	1" Flat Head Screw	
8 or 12	Shelf Clip	
3 Hinge For 36" And 42" High Wall Cabinet		
12 Shelf Clips For 42" High Wall Cabinet		

Wall Cabinet

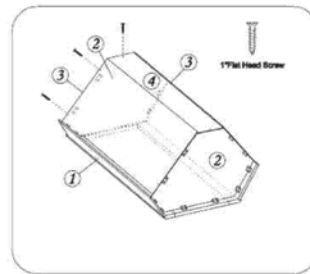
WDC2430,WDC2436,WDC2442,
DCW2430GD,DCW2436GD,DCW2442GD



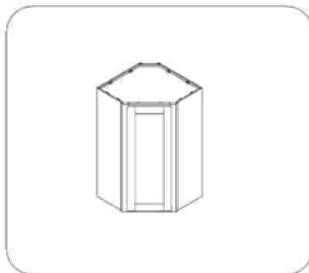
1 Insert the side panel from end of face frame



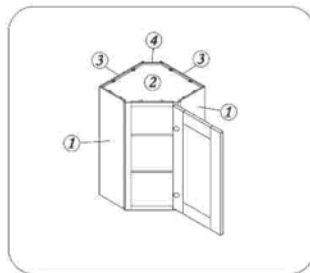
2 Attach top and bottom panel with face frame and side panel



3 Attach back panel then screw up



4 Fix door onto the frame and adjust the cover-space



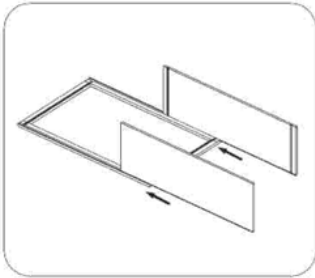
5 Put on the adjustable shelves

QTY	HARDWARE	
2 or 3	3/8" Soft Close Hinge	
2 or 3	3/4" Round Head Screw	
4 or 6	5/8" Flat Head Screw	
2	Bumper	
22	Cleat	
88	1/2" Flat Head Screw	
4	1" Flat Head Screw	
8 or 12	Shelf Clip	
3 Hinge For 36" And 42" High Wall Cabinet		
12 Shelf Clips For 42" High Wall Cabinet		

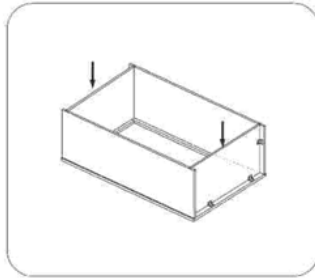
Wall Cabinet

W3612,W3615,W3618,W3621
W3624,W361224,W361524,
W361824,W362424

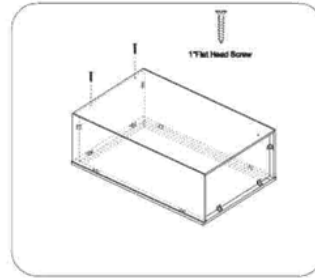
W3630,W3636,W3642
W3630GD,W3636GD,W3642GD



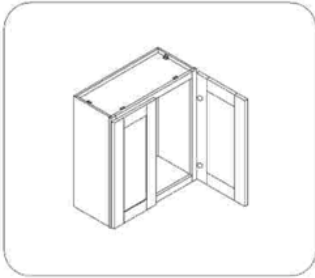
① Insert the side panel from end of face frame



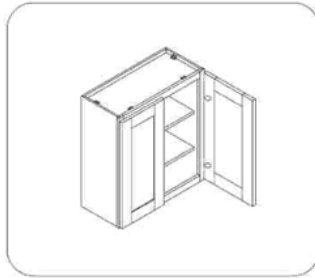
② Attach top and bottom panel with face frame and side panel



③ Attach back panel then screw up



④ Fix doors onto the frame and adjust the cover-space



⑤ Put on the adjustable shelves

QTY	HARDWARE	
4 or 6	1/4"Soft Close Hinge	
4 or 6	3/4"Round Head Screw	
8 or 12	5/8"Flat Head Screw	
4	Bumper	
14	Cleat	
56	1/2"Flat Head Screw	
4	1"Flat Head Screw	
8 or 12	Shelf Clip	
6 Hinge For 36" And 42" High Wall Cabinet		
12 Shelf Clips For 42" High Wall Cabinet		